

KOBELCO SK008

0.8 TONNE

DIMENSIONS & RANGE

Overall Length:	2470mm
Overall Height:	2300mm
Overall Weight:	800kg
Operating Weight:	1065kg
Width:	*680mm/**840mm
Dig Depth:	1500mm

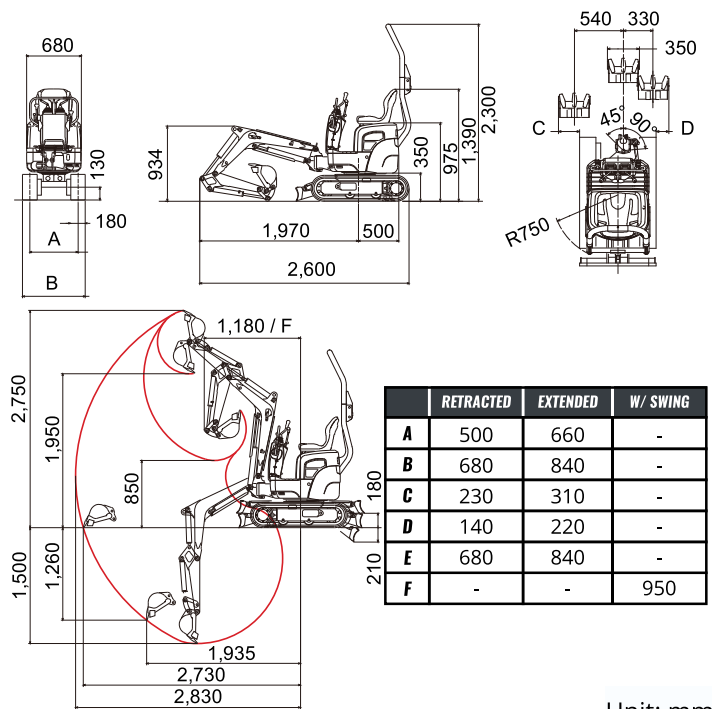
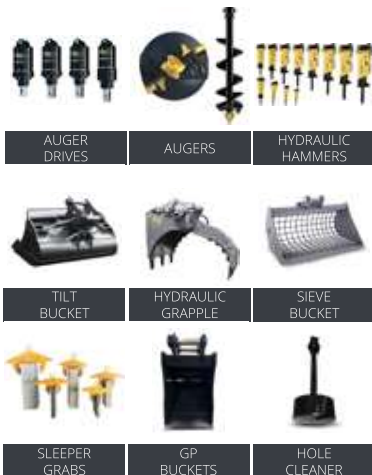
FEATURES



COMPLIANCE



COMPATIBLE WITH



Unit: mm

*when retracted **when extended.

Victoria's dry hire equipment specialist. We have your equipment needs covered.

7-9 Kearney St., Bayswater, VIC 3153 | Ph: 03 9756 3950 | Email: sales@focusmachinery.com.au | www.FocusMachinery.com.au

YANMAR SV08-1A





0.8 TONNE



DIMENSIONS & RANGE

Overall Length:	2600mm
Overall Height:	2200mm
Operating Weight:	1035kg
Overall Width:	*680 - **840mm
Dig Depth:	1500mm

FEATURES

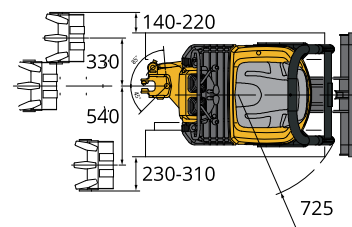
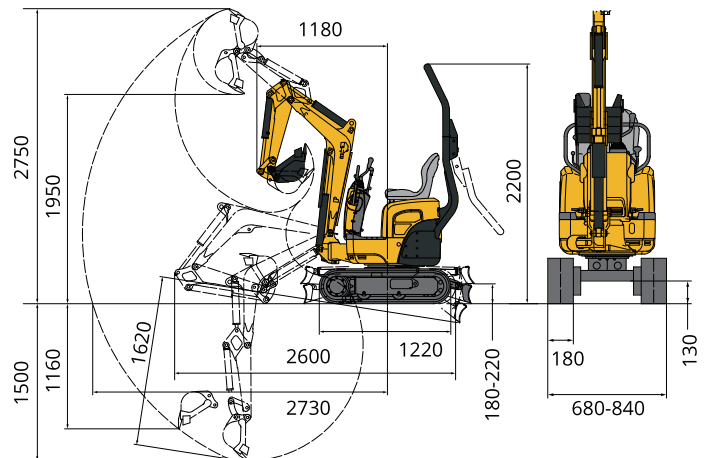
					
SQUAWKER	REFLECTIVE TAPE	EMERGENCY STOP	LOCKABLE ISOLATER	ROPS CANOPY	TRAILER MOUNTED

COMPLIANCE

					
DAILY CHECKLIST	FIRE EXTINGUISHER	OPERATOR'S MANUAL	PLANT ASSESSMENT	REVERSE BEEPER	ROTATING BEACON

COMPATIBLE WITH

		
AUGER DRIVES	AUGERS	HYDRAULIC HAMMERS
		
TILT BUCKET	HYDRAULIC GRAPPLE	SIEVE BUCKET
		
SLEEPER GRABS	GP BUCKETS	HOLE CLEANER



Unit: mm

*when retracted **when extended.

Victoria's dry hire equipment specialist. We have your equipment needs covered.

7-9 Kearney St., Bayswater, VIC 3153 | Ph: 03 9756 3950 | Email: sales@focusmachinery.com.au | www.FocusMachinery.com.au