

CAT 299D 3

100HP



DIMENSIONS & RANGE

Overall Length:	3931mm
Overall Width:	1931mm
Overall Height:	2125mm
Overall Weight:	5200kg
Ground Clearance:	245mm

FEATURES

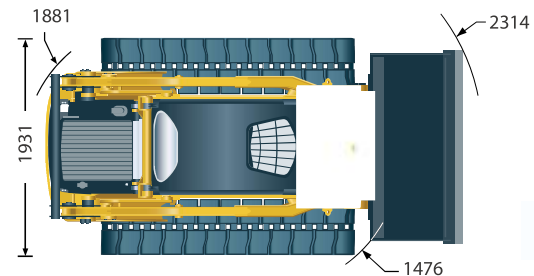
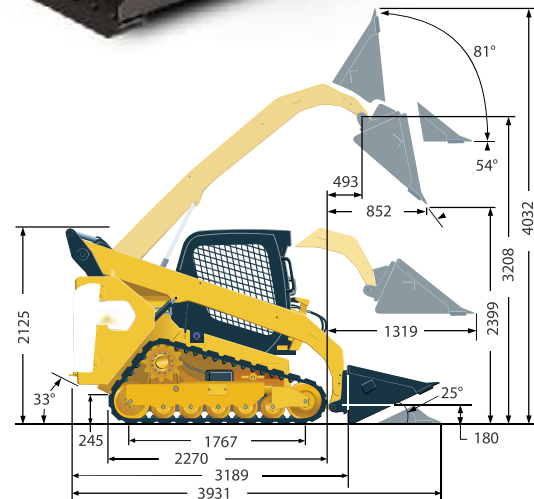
UHF RADIO	SQUAWKER	REFLECTIVE TAPE	EMERGENCY STOP
LOCKABLE ISOLATER	AIR CONDITIONING	HIGH FLOW	

COMPLIANCE

DAILY CHECKLIST	FIRE EXTINGUISHER	OPERATOR'S MANUAL	PLANT ASSESSMENT	REVERSE BEEPER	ROTATING BEACON

COMPATIBLE WITH

AUGER DRIVES	PALLET FORK	SMUDGE BAR	AUGER	BROOMS	TRENCHER
ROTO TILLER	POST DRIVER	LASER GRADER	SLASHER	SIEVE BUCKET	FORESTRY MULCHERA
GRAPPLE BUCKET	HARLEY RAKE	JACK HAMMER	STICK RAKE	RIPPERS	



Unit: mm

KUBOTA SVL 95

100HP



DIMENSIONS & RANGE

Overall Length:	3576mm
Overall Width:	1727mm
Overall Height:	2083mm
Overall Weight:	5250kg
Ground Clearance:	293mm

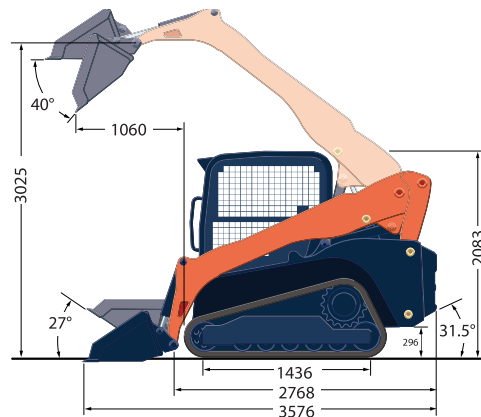
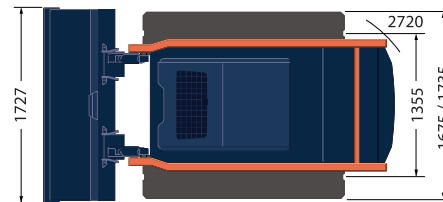
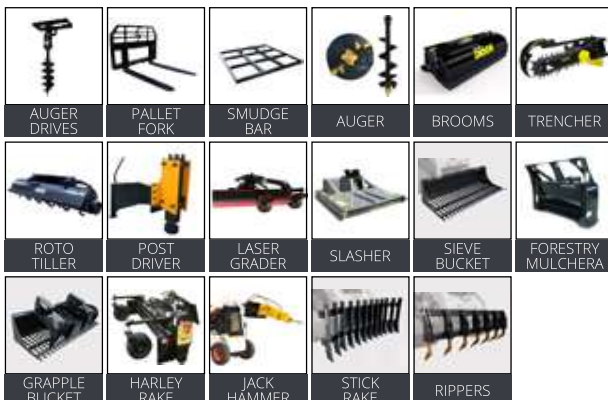
FEATURES



COMPLIANCE



COMPATIBLE WITH



Unit: mm