

DYNAPAC CA3500D

12 TONNE SMOOTH DRUM ROLLER

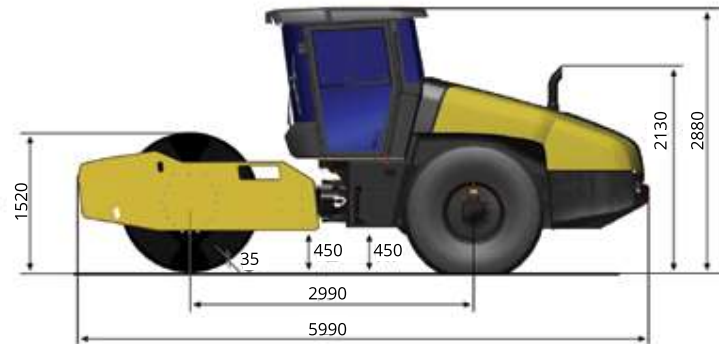


DIMENSIONS







Overall Length:	5990mm
Overall Width:	2304mm
Overall Height:	2880mm
Overall Weight:	12100kg
Drum Width:	2130mm
Centrifugal Force:	170Kn - 280Kn

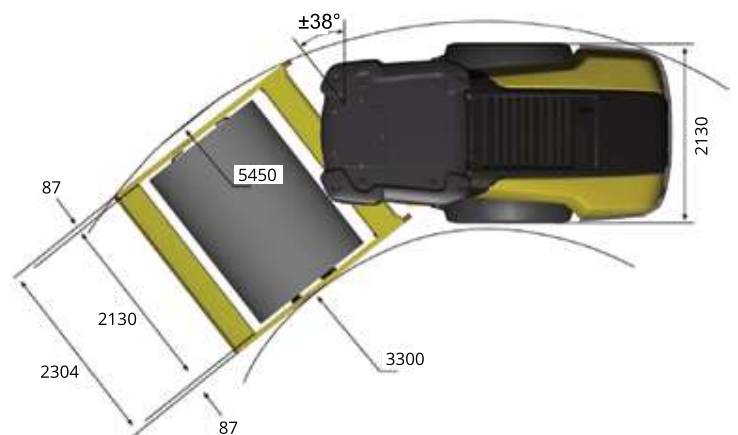
FEATURES

		
SQUAWKER	REFLECTIVE TAPE	LOCKABLE ISOLATER
		
EMERGENCY STOP	UHF RADIO	AIR CONDITIONING



COMPLIANCE

		
DAILY CHECKLIST	FIRE EXTINGUISHER	REVERSE BEEPER
		
OPERATOR'S MANUAL	PLANT ASSESSMENT	ROTATING BEACON



Unit: mm

BOMAG BW-213

12 TONNE SMOOTH DRUM ROLLER





DIMENSIONS

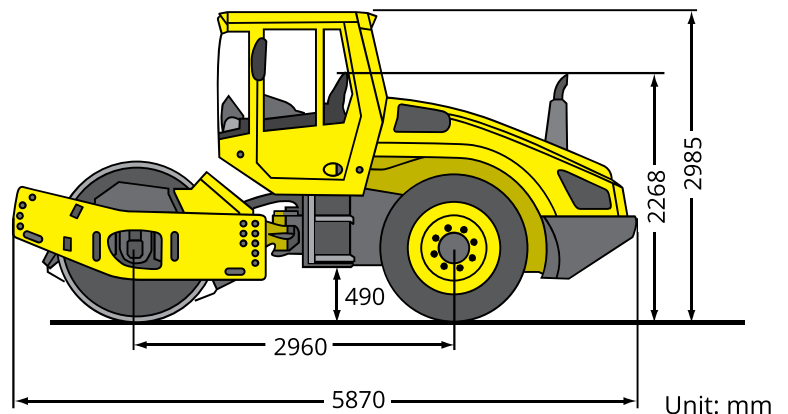
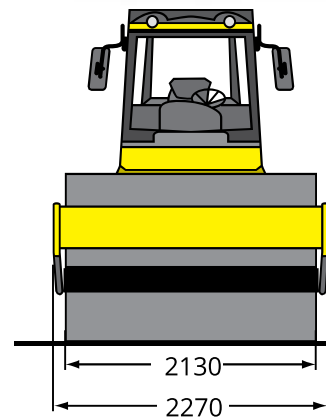
Overall Length:	5870mm
Overall Width:	2270mm
Overall Height:	2990mm
Overall Weight:	12600kg
Drum Width:	2130mm
Centrifugal Force:	196Kn

FEATURES

		
SQUAWKER	REFLECTIVE TAPE	LOCKABLE ISOLATER
		
EMERGENCY STOP	UHF RADIO	AIR CONDITIONING

COMPLIANCE

		
DAILY CHECKLIST	FIRE EXTINGUISHER	REVERSE BEEPER
		
OPERATOR'S MANUAL	PLANT ASSESSMENT	ROTATING BEACON



Unit: mm

Victoria's dry hire equipment specialist. We have your equipment needs covered.

7-9 Kearney St., Bayswater, VIC 3153 | Ph: 03 9756 3950 | Email: sales@focusmachinery.com.au | www.FocusMachinery.com.au

CASE 1107EX

12 TONNE SMOOTH DRUM ROLLER

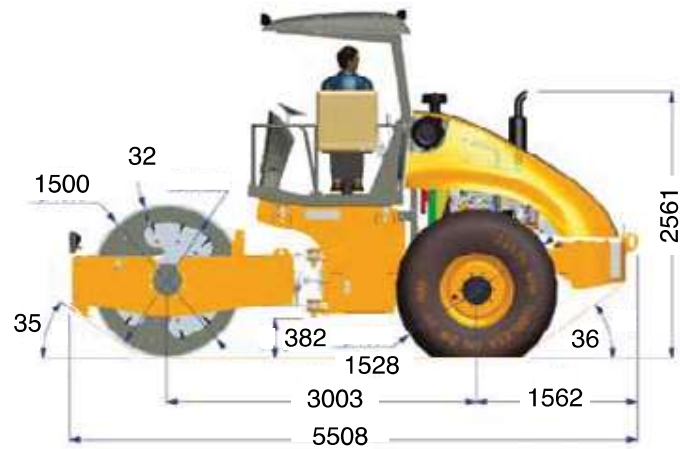
DIMENSIONS

Overall Length:	5508mm
Overall Width:	2324mm
Overall Height:	3373mm
Overall Weight:	11030kg
Drum Width:	2150mm
Centrifugal Force:	146Kn - 263.67Kn





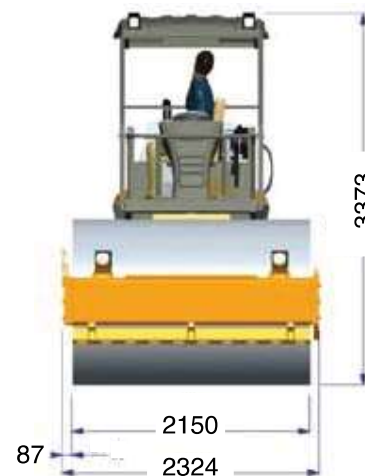
FEATURES

		
SQUAWKER	REFLECTIVE TAPE	LOCKABLE ISOLATER
		
EMERGENCY STOP	UHF RADIO	AIR CONDITIONING



COMPLIANCE

		
DAILY CHECKLIST	FIRE EXTINGUISHER	REVERSE BEEPER
		
OPERATOR'S MANUAL	PLANT ASSESSMENT	ROTATING BEACON



Unit: mm