

WACKER NEUSON 14504

15 TONNE

DIMENSIONS & RANGE

Overall Length:	7720mm
Overall Width:	2490mm
Overall Height:	2785mm
Overall Weight:	15550kg
Dig Depth:	5000mm

FEATURES

				
SQUAWKER	REFLECTIVE TAPE	EMERGENCY STOP	LOCKABLE ISOLATER	QUICK HITCH
				
UHF RADIO	AIR CONDITIONING	ANTI-DROP VALVES		

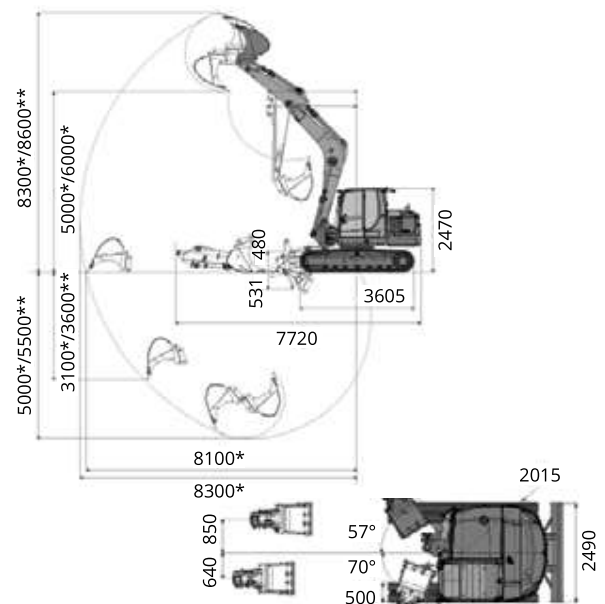


COMPLIANCE

					
DAILY CHECKLIST	FIRE EXTINGUISHER	OPERATOR'S MANUAL	PLANT ASSESSMENT	REVERSE BEEPER	ROTATING BEACON

COMPATIBLE WITH

				
AUGER DRIVES	COMPACTION PLATE	COMPACTION WHEEL	GRAPPLE BUCKET	HOLE CLEANER
				
HYDRAULIC HAMMERS	FLIP SCREEN	SIEVE BUCKET	TILT BUCKET	MULCHER
				
DRUM GRINDER	CUTTER CRUSHER	GP BUCKETS	CORE BARRELS	GRADER BLADES



using short arm bucket* using long arm bucket**

Unit: mm

KOBELCO SK135*

15 TONNE - STANDARD



DIMENSIONS & RANGE

Overall Length:	7410mm
Overall Width:	2490mm
Overall Height:	2840mm
Overall Weight:	14400kg
Dig Depth:	5520mm

FEATURES

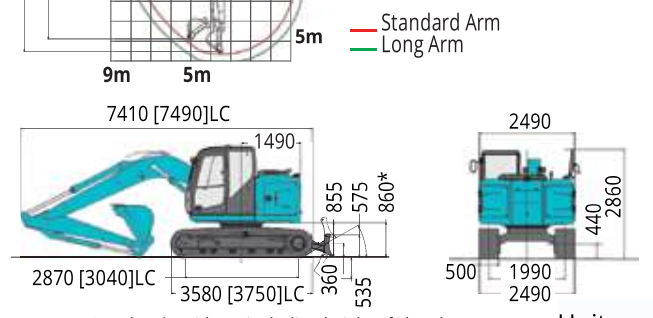
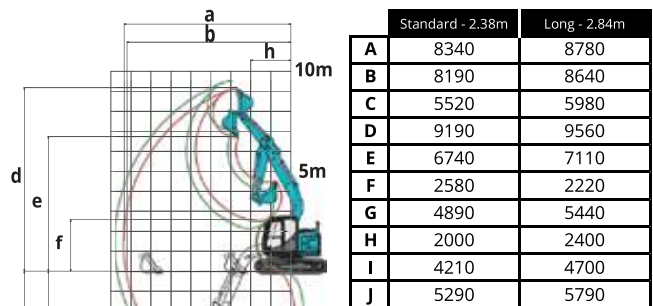
SQUAWKER	REFLECTIVE TAPE	EMERGENCY STOP	LOCKABLE ISOLATER	QUICK HITCH	ZERO SWING
UHF RADIO	AIR CONDITIONING	TOP CON GPS	ANTI-DROP VALVES		

COMPLIANCE

DAILY CHECKLIST	FIRE EXTINGUISHER	OPERATOR'S MANUAL	PLANT ASSESSMENT	REVERSE BEEPER	ROTATING BEACON

COMPATIBLE WITH

AUGER DRIVES	COMPACTION PLATE	COMPACTION WHEEL	GRAPPLE BUCKET	HOLE CLEANER
HYDRAULIC HAMMERS	FLIP SCREEN	SIEVE BUCKET	TILT BUCKET	MULCHER
DRUM GRINDER	CUTTER CRUSHER	GP BUCKETS	CORE BARRELS	GRADER BLADES



[] = Long Crawler * = Without including height of shoe lug Unit: mm

*Available with Tilt Hitch