

CAT 320GC

20 TONNE



DIMENSIONS & RANGE

Overall Length:	9530mm
Overall Width:	2980mm
Overall Height:	2950mm
Overall Weight:	21200kg
Dig Depth:	6710mm

FEATURES

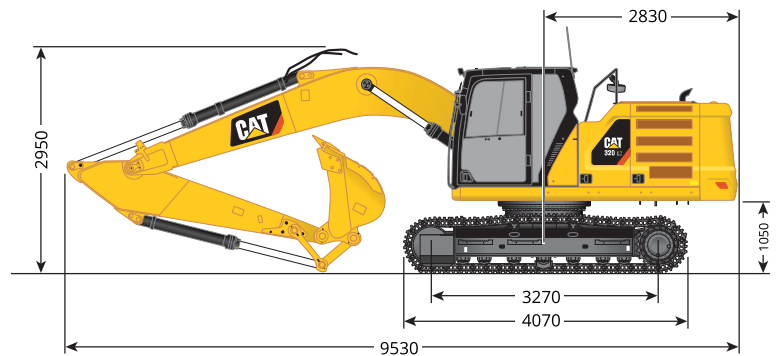
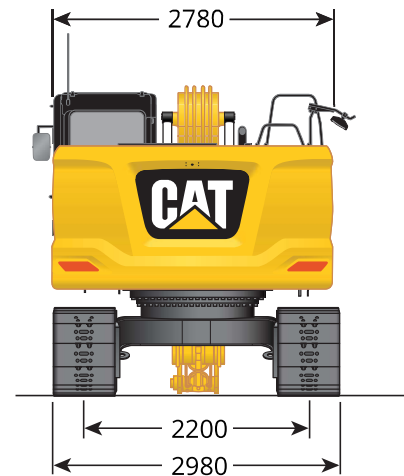
SQUAWKER	REFLECTIVE TAPE	EMERGENCY STOP	LOCKABLE ISOLATER	QUICK HITCH
UHF RADIO	AIR CONDITIONING	CASE DRAIN	ANTI-DROP VALVES	

COMPLIANCE

DAILY CHECKLIST	FIRE EXTINGUISHER	OPERATOR'S MANUAL	PLANT ASSESSMENT	REVERSE BEEPER	ROTATING BEACON

COMPATIBLE WITH

AUGER DRIVES	COMPACTION PLATE	COMPACTION WHEEL	GRAPPLE BUCKET	HOLE CLEANER
HYDRAULIC HAMMERS	FLIP SCREEN	SIEVE BUCKET	TILT BUCKET	MULCHER
DRUM GRINDER	CUTTER CRUSHER	GP BUCKETS	CORE BARRELS	GRADER BLADES



Unit: mm

JCB JS200 SC

20 TONNE



DIMENSIONS & RANGE

Overall Length:	9560mm
Overall Width:	2700mm
Overall Height:	3060mm
Overall Weight:	20654kg
Dig Depth:	5520mm

FEATURES

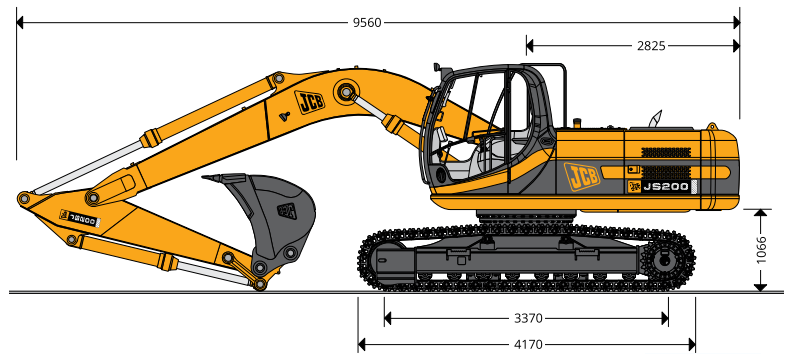
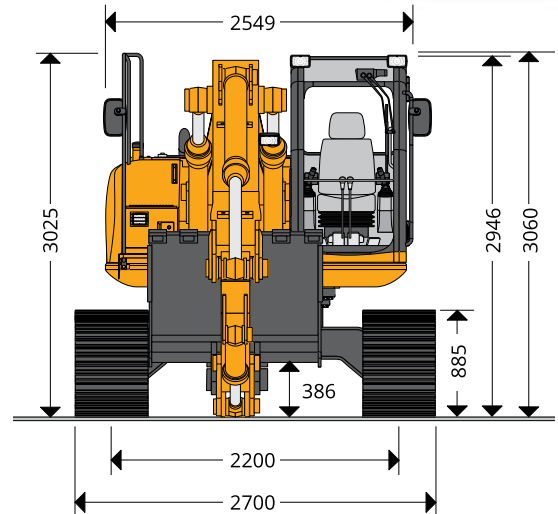
SQUAWKER	REFLECTIVE TAPE	EMERGENCY STOP	LOCKABLE ISOLATER	QUICK HITCH
UHF RADIO	AIR CONDITIONING	ANTI-DROP VALVES		

COMPLIANCE

DAILY CHECKLIST	FIRE EXTINGUISHER	OPERATOR'S MANUAL	PLANT ASSESSMENT	REVERSE BEEPER	ROTATING BEACON

COMPATIBLE WITH

AUGER DRIVES	COMPACTION PLATE	COMPACTION WHEEL	GRAPPLE BUCKET	HOLE CLEANER
HYDRAULIC HAMMERS	SIEVE BUCKET	STICK RAKE	TILT BUCKET	GP BUCKETS
AUGERS	CORE BARRELS	GRADER BLADES		



Unit: mm

Victoria's dry hire equipment specialist. We have your equipment needs covered.

7-9 Kearney St., Bayswater, VIC 3153 | Ph: 03 9756 3950 | Email: sales@focusmachinery.com.au | www.FocusMachinery.com.au