

KUBOTA U48-4

4.5 TONNE



DIMENSIONS & RANGE

Overall Length:	5330mm
Overall Width:	1960mm
Overall Height:	2550mm
Overall Weight:	4935kg
Dig Depth:	3380mm

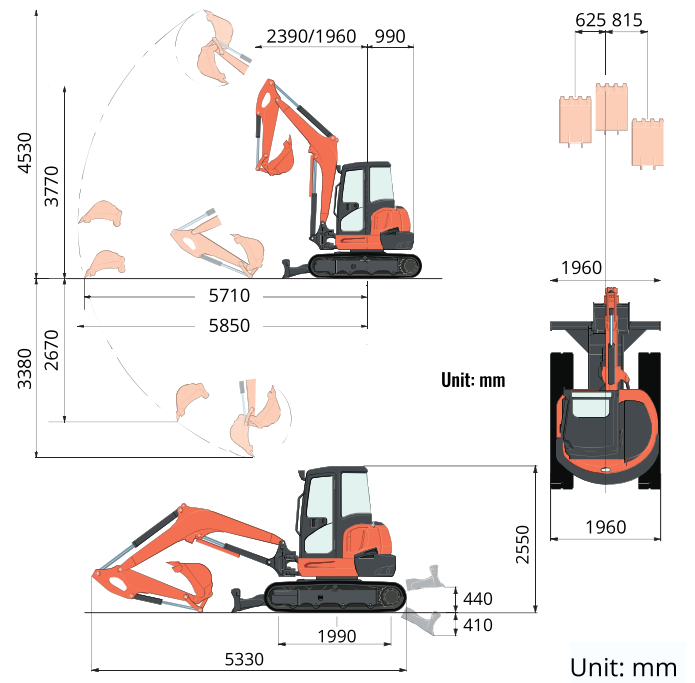
FEATURES



COMPLIANCE



COMPATIBLE WITH



Victoria's dry hire equipment specialist. We have your equipment needs covered.

7-9 Kearney St., Bayswater, VIC 3153 | Ph: 03 9756 3950 | Email: sales@focusmachinery.com.au | www.FocusMachinery.com.au

KOBELCO SK45SRX

5 TONNE



DIMENSIONS & RANGE

Overall Length:	5320mm
Overall Width:	1960mm
Overall Height:	2530mm
Overall Weight:	4550kg
Dig Depth:	3440mm

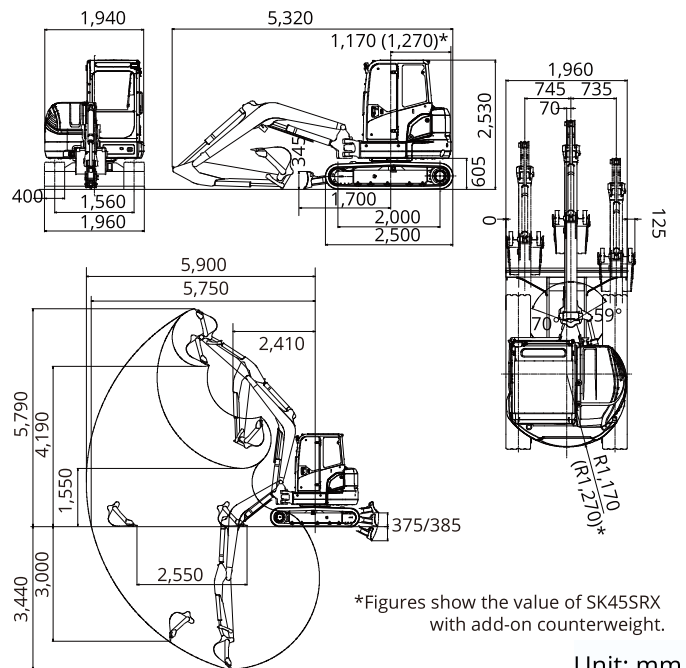
FEATURES



COMPLIANCE



COMPATIBLE WITH



Unit: mm

KUBOTA U48

5 TONNE



DIMENSIONS & RANGE

Overall Length:	5330mm
Overall Width:	1960mm
Overall Height:	2550mm
Overall Weight:	4760kg
Dig Depth:	3380mm

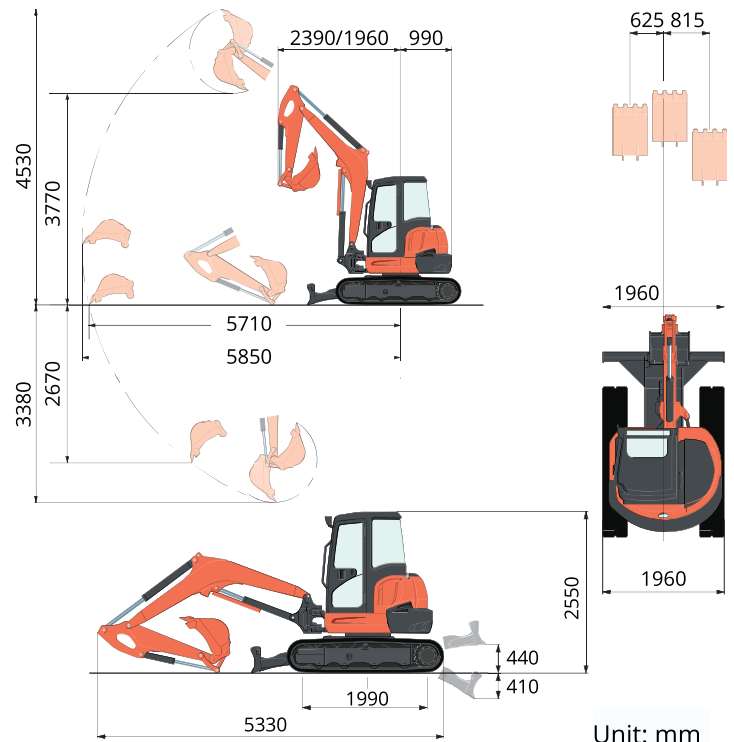
FEATURES



COMPLIANCE



COMPATIBLE WITH



YANMAR VIO50-6B

5 TONNE



DIMENSIONS & RANGE

Overall Length:	5230mm
Overall Width:	1940mm
Overall Height:	2540mm
Overall Weight:	4875kg
Dig Depth:	3550mm

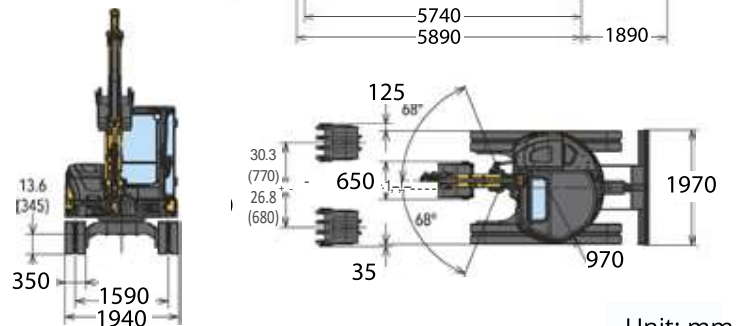
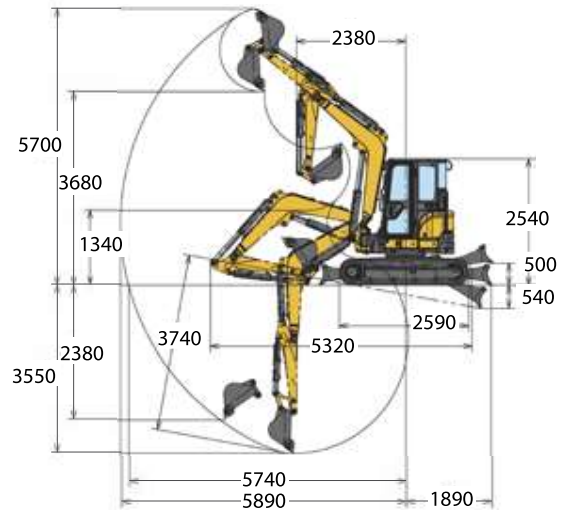
FEATURES



COMPLIANCE



COMPATIBLE WITH



Unit: mm
Measurements with Quick Coupler

Victoria's dry hire equipment specialist. We have your equipment needs covered.

7-9 Kearney St., Bayswater, VIC 3153 | Ph: 03 9756 3950 | Email: sales@focusmachinery.com.au | www.FocusMachinery.com.au