

KUBOTA U55-4*

5.5 TONNE



DIMENSIONS & RANGE

| | |
|-----------------|--------|
| Overall Length: | 5500mm |
| Overall Width: | 1960mm |
| Overall Height: | 2550mm |
| Overall Weight: | 5380kg |
| Dig Depth: | 3630mm |

FEATURES

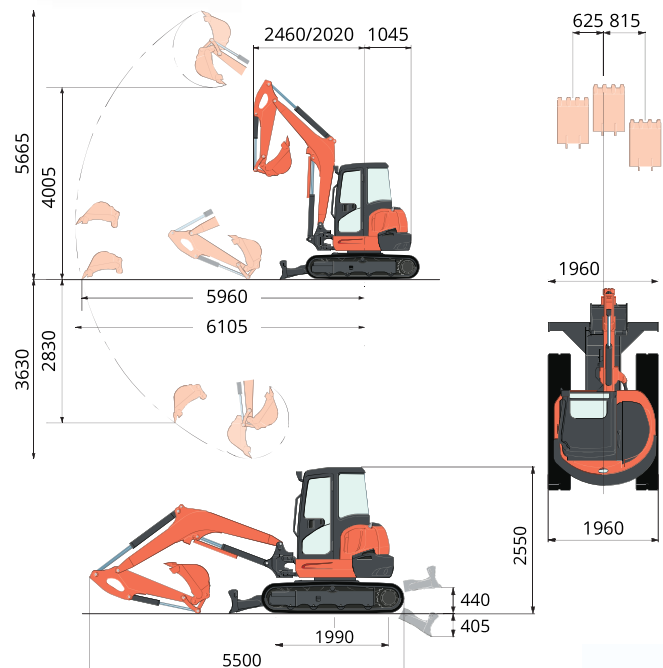
| | | | | | |
|-----------|------------------|----------------|-------------------|-------------|------------|
| | | | | | |
| SQUAWKER | REFLECTIVE TAPE | EMERGENCY STOP | LOCKABLE ISOLATER | QUICK HITCH | ZERO SWING |
| | | | | | |
| UHF RADIO | AIR CONDITIONING | | | | |

COMPLIANCE

| | | | | | |
|-----------------|-------------------|-------------------|------------------|----------------|-----------------|
| | | | | | |
| DAILY CHECKLIST | FIRE EXTINGUISHER | OPERATOR'S MANUAL | PLANT ASSESSMENT | REVERSE BEEPER | ROTATING BEACON |

COMPATIBLE WITH

| | | | | |
|-------------------|------------------|------------------|----------------|--------------|
| | | | | |
| AUGER DRIVES | COMPACTION PLATE | COMPACTION WHEEL | GRAPPLE BUCKET | HOLE CLEANER |
| | | | | |
| HYDRAULIC HAMMERS | FLIP SCREEN | SIEVE BUCKET | TILT BUCKET | MULCHER |
| | | | | |
| DRUM GRINDER | CUTTER CRUSHER | GP BUCKETS | | |



Unit: mm

*Available with tilt hitch option

YANMAR ViO55

5.5 TONNE



DIMENSIONS & RANGE

| | |
|-----------------|--------|
| Overall Length: | 5560mm |
| Overall Width: | 1990mm |
| Overall Height: | 2620mm |
| Overall Weight: | 5320kg |
| Dig Depth: | 3980mm |

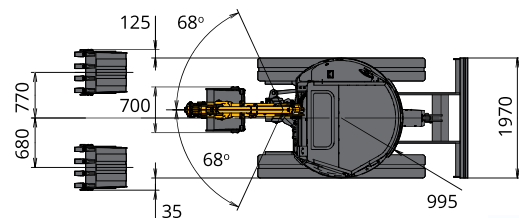
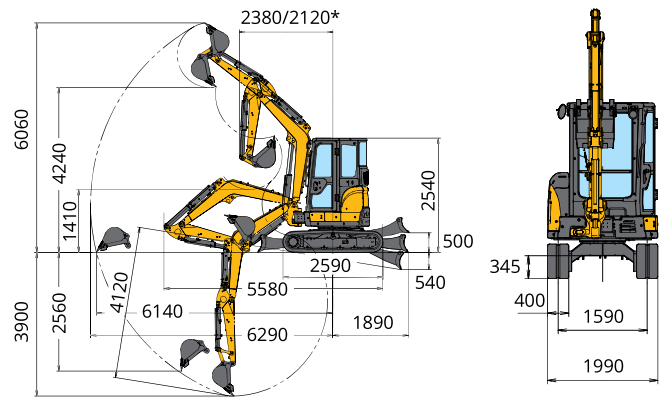
FEATURES



COMPLIANCE



COMPATIBLE WITH



*Swing

Unit: mm

Victoria's dry hire equipment specialist. We have your equipment needs covered.

7-9 Kearney St., Bayswater, VIC 3153 | Ph: 03 9756 3950 | Email: sales@focusmachinery.com.au | www.FocusMachinery.com.au

KOBELCO SK55 AC CAB

5.5 TONNE



DIMENSIONS & RANGE

| | |
|-----------------|--------|
| Overall Length: | 5320mm |
| Overall Width: | 1960mm |
| Overall Height: | 2530mm |
| Overall Weight: | 5095kg |
| Dig Depth: | 3900mm |

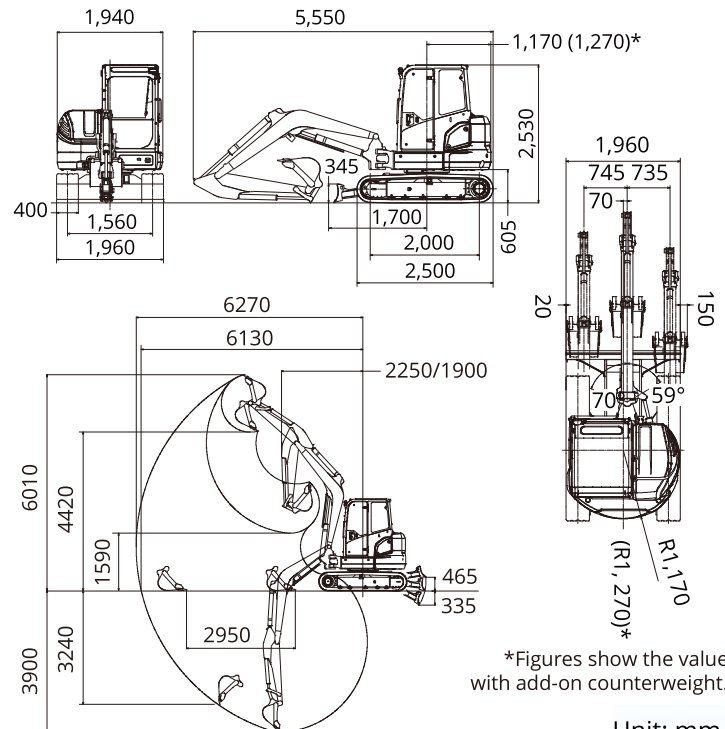
FEATURES



COMPLIANCE



COMPATIBLE WITH



Unit: mm