

# 3T WHEELED DUMPER

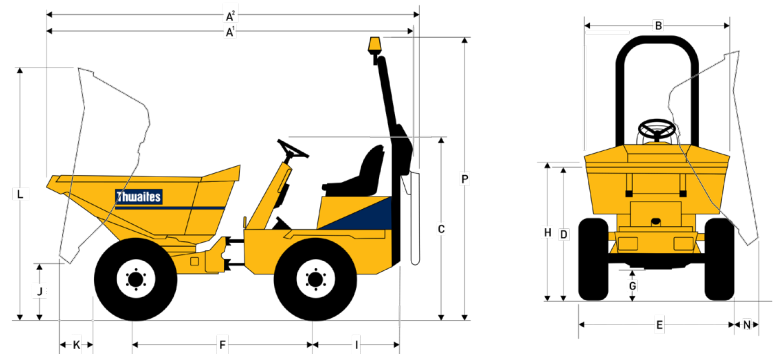
## DIMENSIONS & RANGE

Overall Length: 4100mm  
 Overall Width: 1650mm  
 Overall Height: 3092mm  
 Overall Weight: 3000kg  
 Ground Clearance: 330mm  
 Volume Capacity: 1.64m<sup>3</sup>

## FEATURES



## COMPLIANCE



| Dimensions (mm) |        |
|-----------------|--------|
| A <sup>1</sup>  | 3935mm |
| A <sup>2</sup>  | 4100mm |
| B               | 1650mm |
| C               | 1965mm |
| D               | 1440mm |
| E               | 1650mm |
| F               | 1950mm |
| G               | 330mm  |
| H               | 1565mm |
| I               | 1032mm |
| J               | 735mm  |
| K               | 510mm  |
| L               | 2825mm |
| N               | 364mm  |
| P               | 3092mm |

**GO AHEAD AND DIG**