

FRONT END LOADER CAT924K

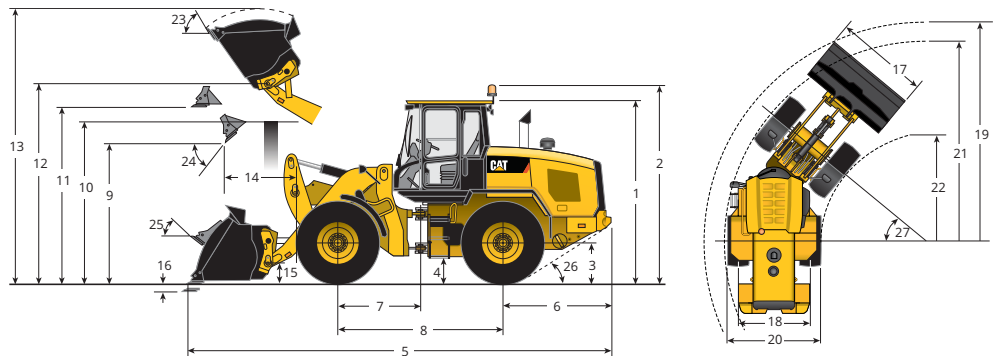
DIMENSIONS & RANGE

Overall Height: 3340mm
 Overall Width: 2540mm
 Overall Length: 7374mm
 Overall Weight: 12019kg
 Bucket Volume: 2.1 m³
 Max Dump Height: 2857mm



FEATURES

		
SQUAWKER	REFLECTIVE TAPE	LOCKABLE ISOLATER
		
EMERGENCY STOP	TRAILER FRIENDLY	QUICK HITCH
		
UHF RADIO	AIR CONDITIONING	



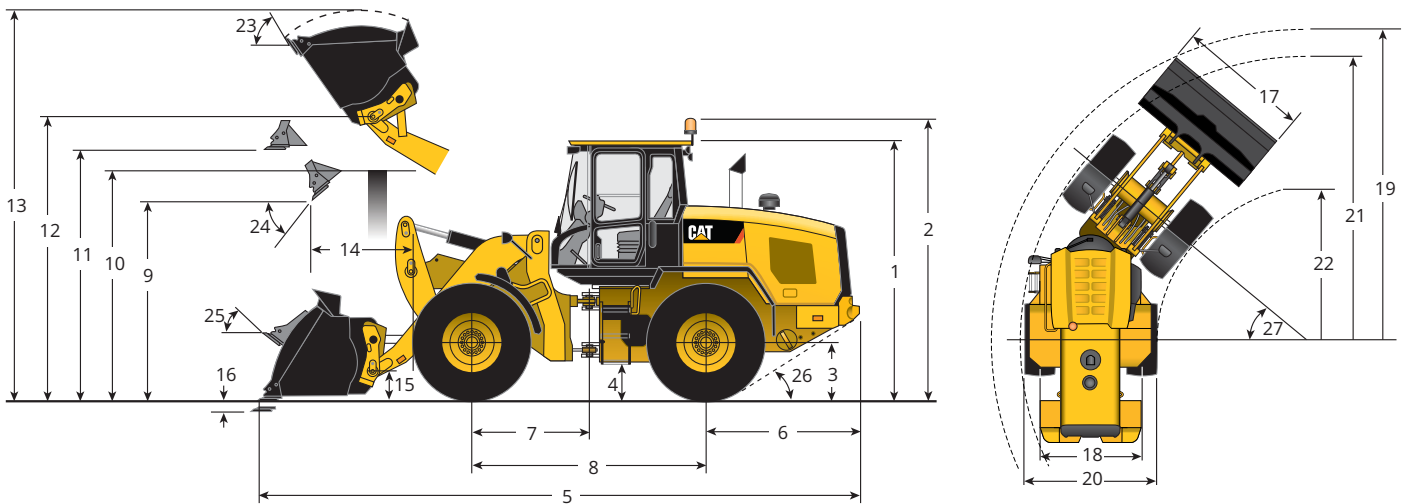
See following page for dimensions and operating specifications.

COMPLIANCE

		
DAILY CHECKLIST	FIRE EXTINGUISHER	REVERSE BEEPER
		
OPERATOR'S MANUAL	PLANT ASSESSMENT	ROTATING BEACON

FRONT END LOADER CAT924K

DIMENSIONS & OPERATING SPECIFICATIONS



	20.5 TYRES	17.5 TYRES
**1 Height: Ground to Cab	3340 mm	3254 mm
**2 Height: Ground to Beacon	3707 mm	3621 mm
**3 Height: Ground Axle Center	685 mm	599 mm
**4 Height: Ground Clearance	397 mm	311 mm
*5 Length: Overall	7374 mm	7441 mm
6 Length: Rear Axle to Bumper	1986 mm	1986 mm
7 Length: Hitch to Front Axle	1500 mm	1500 mm
8 Length: Wheel Base	3000 mm	3000 mm
*9 Clearance: Bucket at 45 degrees	2857 mm	2772 mm
**10 Clearance: Load Over Height	3308 mm	3223 mm
**11 Clearance: Level Bucket	3525 mm	3440 mm
**12 Height: Bucket Pin	3852 mm	3767 mm
**13 Height: Overall	4997 mm	4912 mm
*14 Reach: Bucket at 45 degrees	950 mm	1016 mm
15 Carry Height: Bucket Pin	447 mm	458 mm
**16 Dig Depth	100 mm	186 mm
17 Width: Bucket	2550 mm	2550 mm

	20.5 TYRES	17.5 TYRES
18 Width: Tread Center	1930 mm	1940 mm
19 Turning Radius: Over Bucket	5903 mm	5920 mm
20 Width: Over Tires	2540 mm	2471 mm
21 Turning Radius: Outside of Tires	5402 mm	5402 mm
22 Turning Radius: Inside of Tires	2851 mm	2851 mm
23 Rack Angle at Full Lift	53 degrees	53 degrees
24 Dump Angle at Full Lift	50 degrees	50 degrees
25 Rack Angle at Carry	43 degrees	45 degrees
26 Departure Angle	33 degrees	33 degrees
27 Articulation Angle	40 degrees	40 degrees
* Tipping Load – Straight (ISO 14397-1)	8959 kg	8588 kg
* Tipping Load – Full Turn (ISO 14397-1)	7765 kg	7441 kg
* Nominal Material Density 110% Fill Factor	1858 kg	1780 kg
* Breakout	10 342 kg	10 389 kg
* Operating Weight	12 019 kg	11 471 kg

Dimensions listed are for a Standard Lift machine configured with heavy counterweights, 80 kg (176 lb) operator, and Michelin 20.5 R25 (L-3) XHA2 or Goodyear 17.5 16PR tires where specified above. Bucket volumes are each with bolt-on cutting edges on a 1.9 m³ (2.5 yd³) Performance Series Pin-On bucket.